

Allproof Low Profile Fire Collar PVC, PEX, PB, PEX/Al/PE, PP-R Pipes in Concrete Floor (from 70mm) with Rib & Timber Infill

System/FPA Register ID# FC690

Products	Allproof Low-Profile Fire Collar
Application	Fire stopping of plastic pipes in rigid floors
Construction	Minimum floor thickness of 70mm and comprise aerated concrete or concrete

Fire Classification:

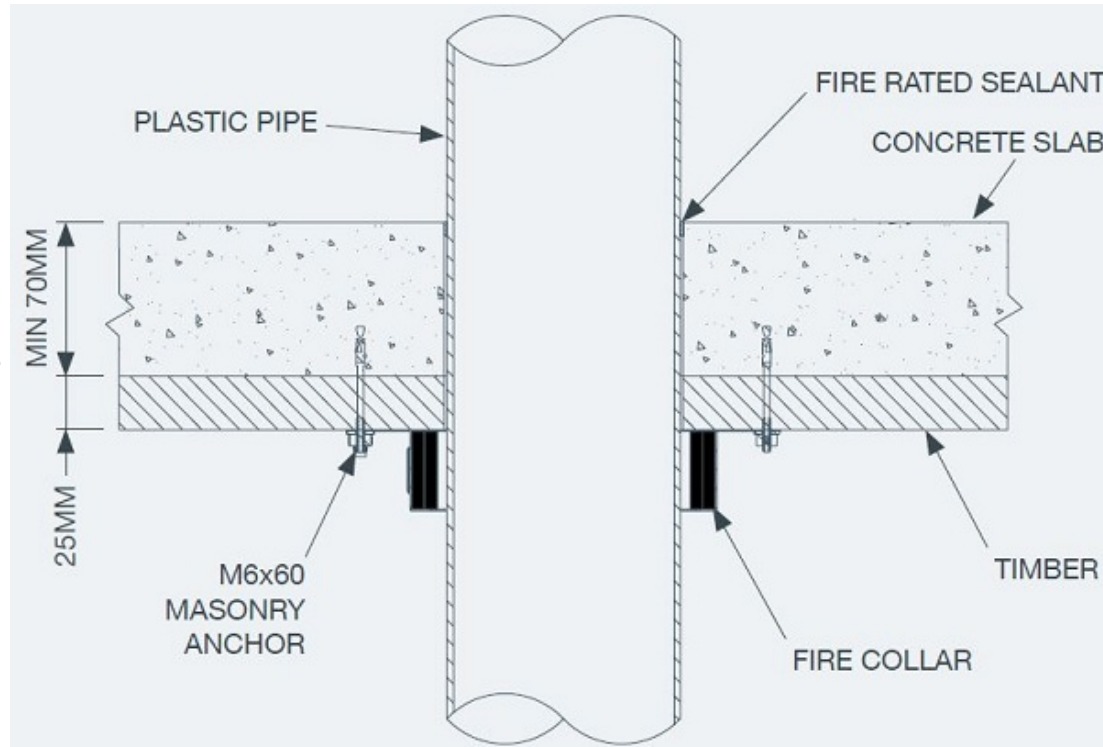
In 70mm floor slab with 25mm timber infill:

PVC plastic pipes 40-100mm diam up to FRR -/120/120
PEX pipes 16-25mm diam up to FRR -/90/60
Polybutulene 15-28mm diam FRR -/90/90
PEX/AL/PE 25mm diam FRR -/90/60
PP-R Aquatherm 32mm diam FRR -/90/90

See page 2 for detailed hole sizes. etc

INSTALLATION INSTRUCTIONS:

1. Ensure substrate around pipe is flat and free from obstructions.
2. Open pipe collar and position around pipe.
3. Slide tab through slot in pipe collar and fold back 180° to secure.
4. Secure pipe collar using M6x60 masonry anchors passing through the timber into the concrete slab. Do not use fixings which rely on plastic or nylon components for grip.
5. Seal the annular gap between top of slab and the pipe with min 5mm Allproof MAS 310 fire sealant.
6. Install only from underside on floor penetrations.



BRANZ Appraised
 Appraisal No.1088 [2019]

As a part of our policy of on-going product development and testing, we reserve the right to modify, alter or change product specifications without giving notice. All information contained in this document is given in good faith and is provided for guidance only. Any drawings provided are for illustrative purposes only. As Firestop Centre has no control over the methods or competence of installation and of prevailing site conditions, no warranties, expressed or implied, is intended to be given as to the actual performance of the product mentioned or referred to herein and no liability whatsoever will be accepted for any loss, damage or injury arising from the use of the information given.

For all technical details on the products specified please refer to the technical data sheets that can be found on www.firestopcentre.co.nz

Signed and approved:

ALLPROOF

INDUSTRIES

Allproof Industries Ltd
 17 Bay Park Place
 Beach Haven, AK 0626

Sheet size: A4	Drawn date & no: 28/7/2
Scale: NTS	Drawn by: G.P

RIB & TIMBER INFILL TEST RESULTS:

NOMINAL PIPE SIZE (MM)	SLAB DEPTH (MM)	TIMBER DEPTH (MM)	NOMINAL PIPE WALL THICKNESS (MM)	PRODUCT CODE	PENETRATION HOLE SIZE (MM)	FLOOR FRL	REPORT NUMBER
PVC PLASTIC PIPE							
40	70	25	2.0	ALLFC40	52	-/120/120	10471
50	70	25	2.2	ALLFC50	67	-/120/120	10471
65	70	25	2.7	ALLFC65	77	-/120/120	10471
80	70	25	2.9	ALLFC80	92	-/120/120	10471
100	70	25	3.2	ALLFC100	117	-/120/90	10471
OTHER PLASTIC PIPE							
16 PEX	70	25	2.2	ALLFC25	28	-/90/60	143281-003
25 PEX	70	25	3.5	ALLFC25	28	-/60/30	143281-003
15 PB	70	25	1.6	ALLFC25	28	-/90/90	143281-003
28 PB	70	25	3.5	ALLFC25	32	-/90/90	143281-003
25 PEX/AL/PE	70	25	2.5	ALLFC25	28	-/90/60	143281-003
32 PP-R (SDR 11)	70	25	2.9	ALLFC40	40	-/90/90	143281-003

Fixing: Collars tested using M6x60 masonry anchors.

RIB & TIMBER INFILL STACK INSTALLATION DETAILS:

